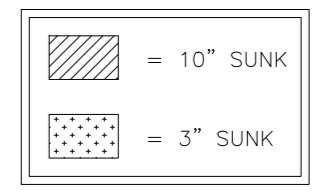
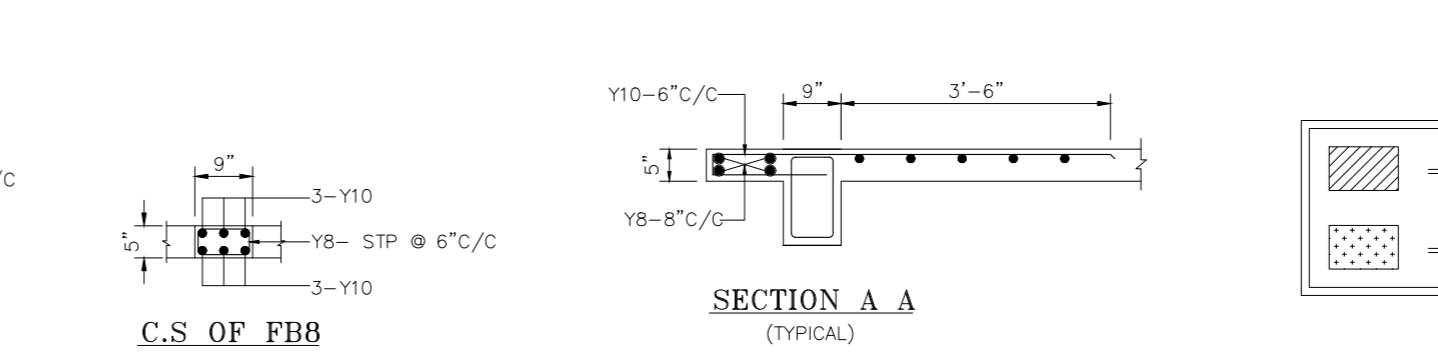
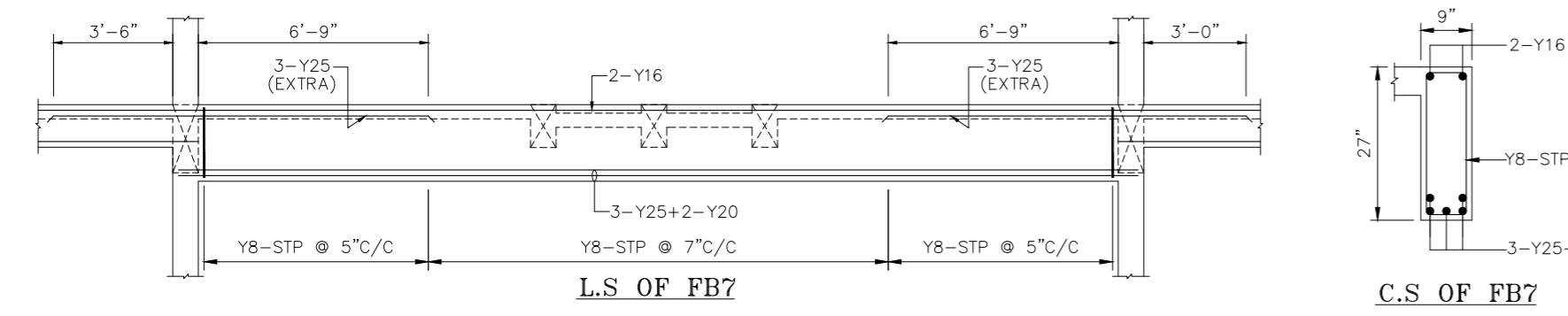
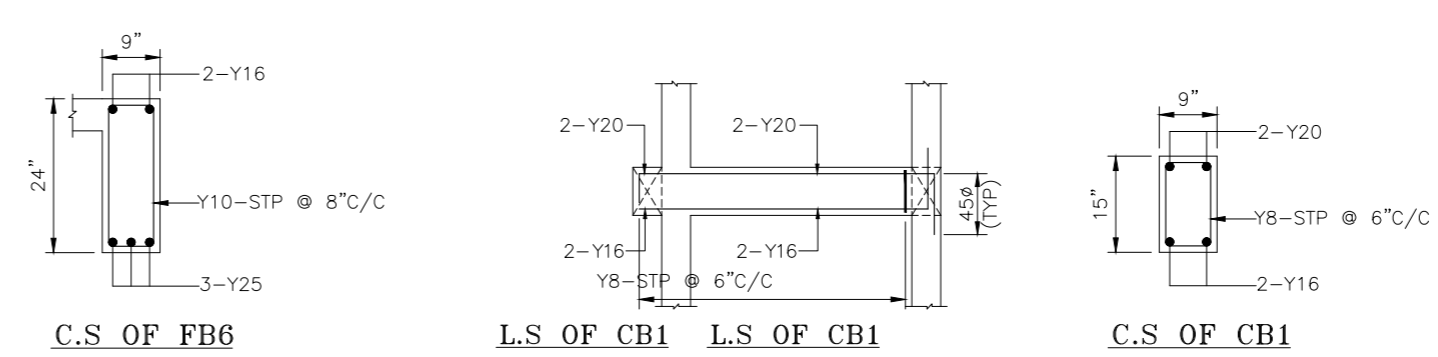
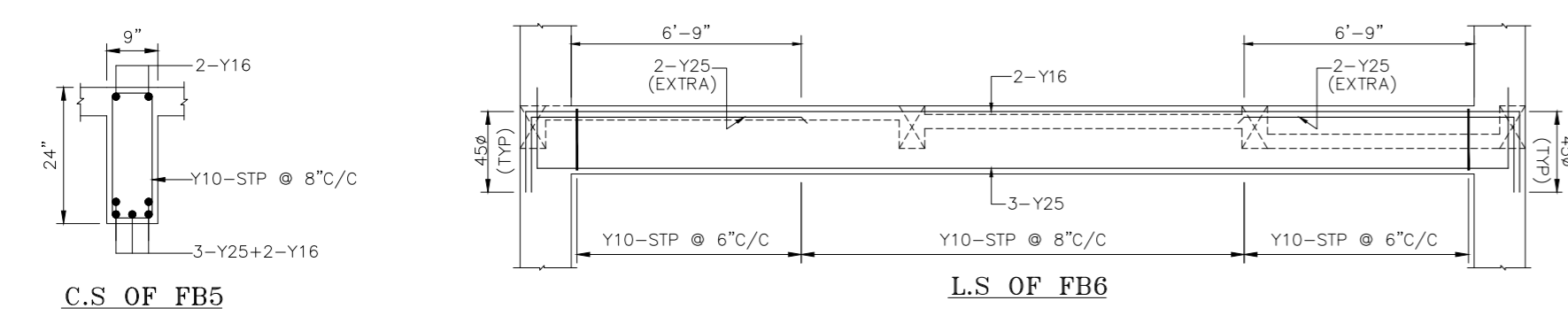
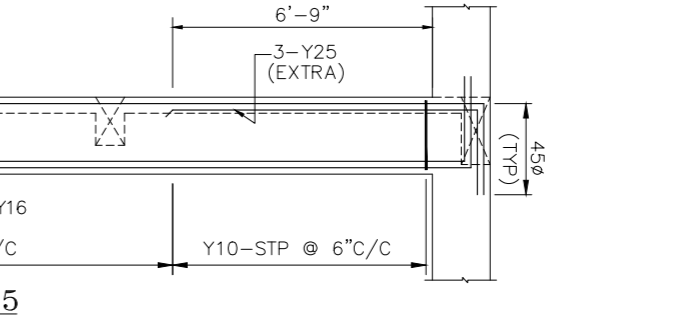
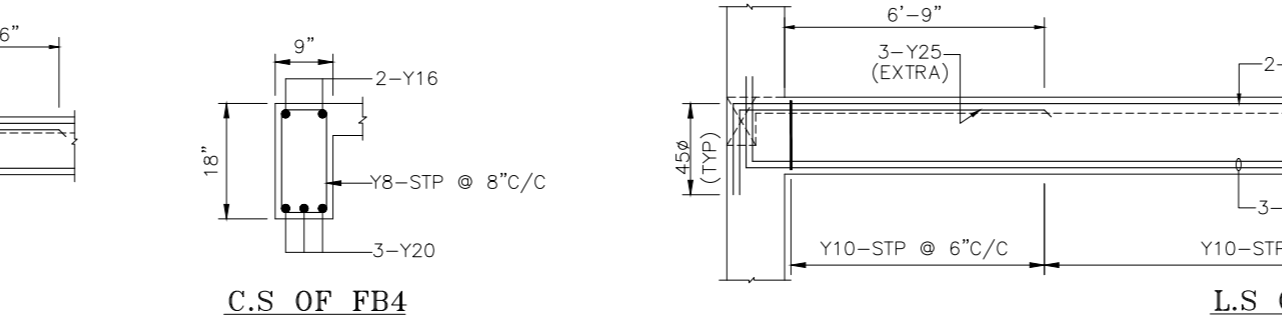
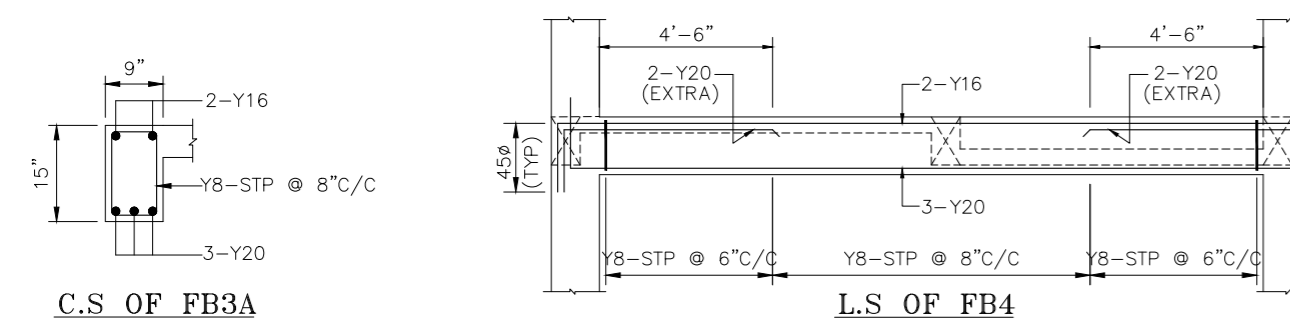
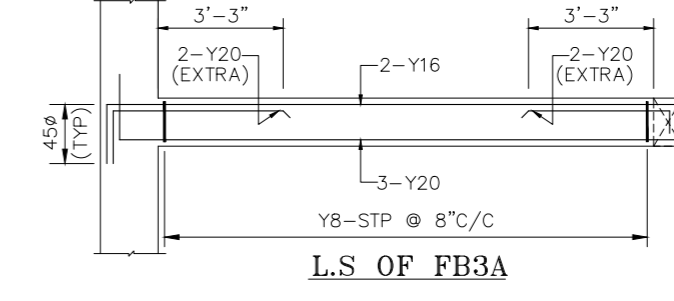
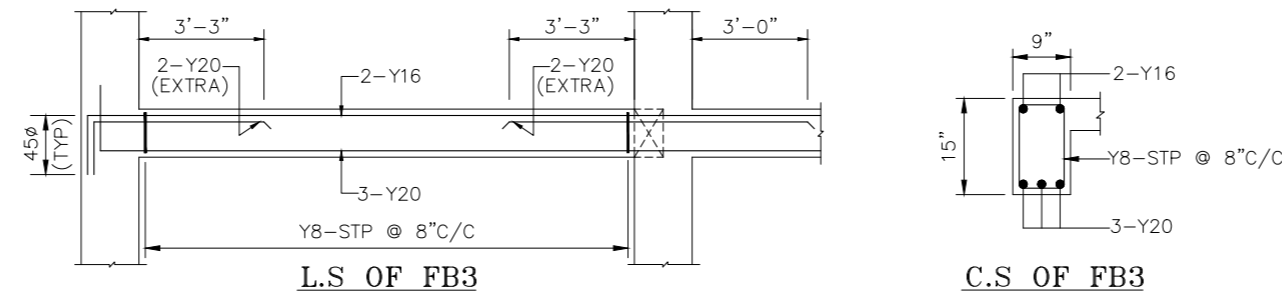
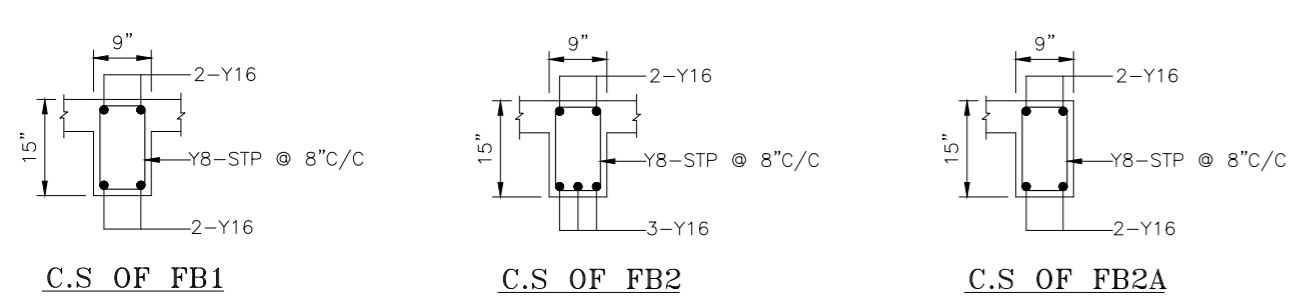


TYP. SEC. FOR
STP. DETAILS

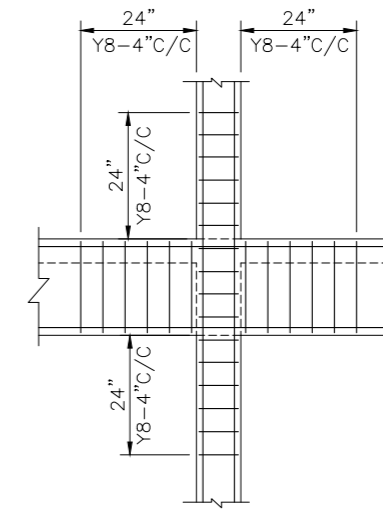
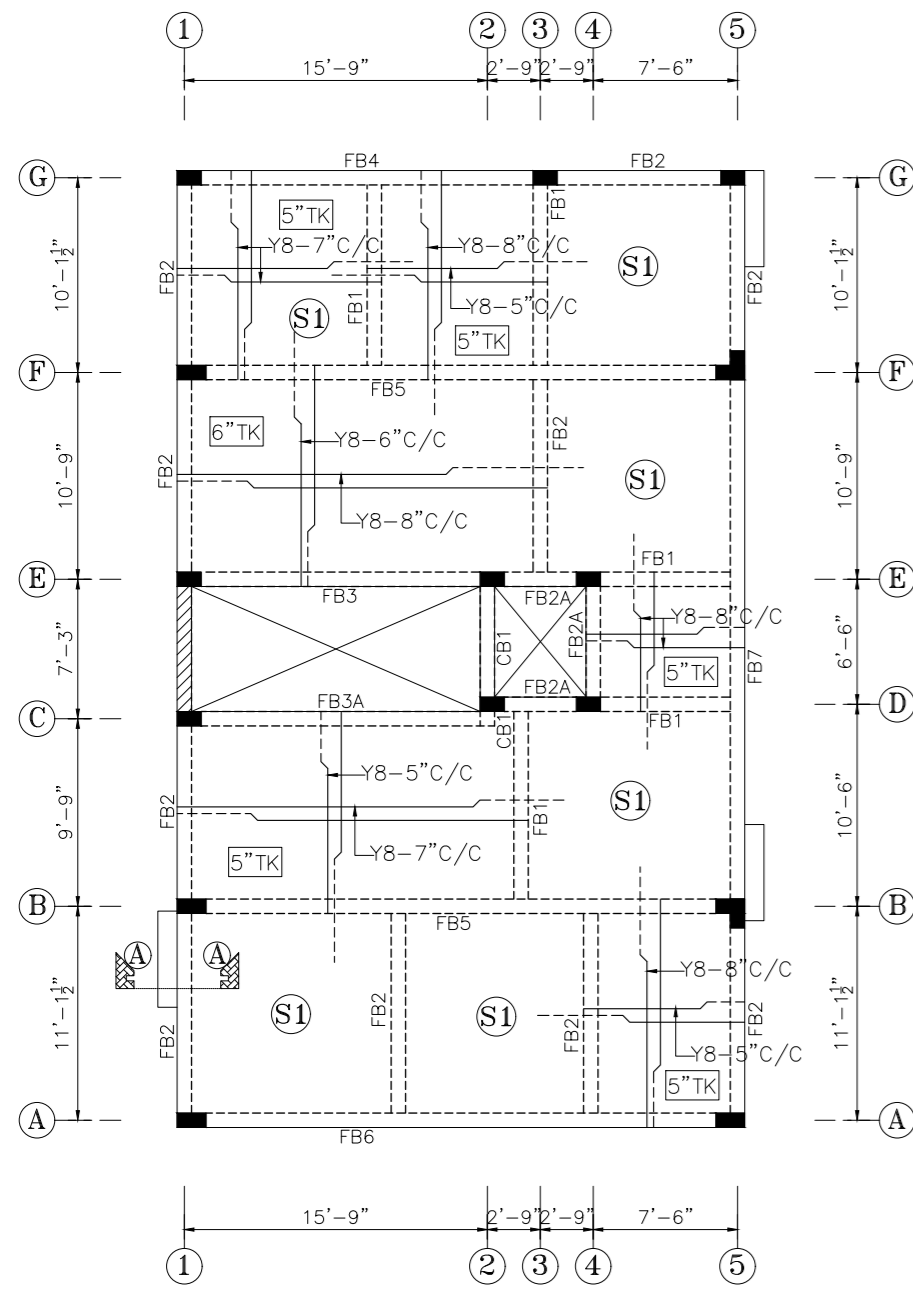
Notes:-

- This drawing should be read along with architectural drawings.
- Grade of R.C.C. items shall be M30 for column & M25 for all other R.C.C works
- Y Denotes TOR50 Steel conforming to I.S. 1786 - 2008. Grade - Fe 500
- Clear cover to the main steel
 - 50 for Footings, Raft Slabs & Raft Beams.
 - 40 for Columns.
 - 25 for Lintel & Beams.
 - 20 for Sunshade & Slab.
- Lap length shall be 50 d (Max. dia) for all bars.
- Bottom Reinforcement
- Top Reinforcement
- Provide Continuous Chairs to keep the top Reinforcement in position
- Provide Y 8 at 200 as Distribution steel for all top Reinforcement.
- Spacer Bar to be Provided in Between Two Layers Of Reinforcement of Same Dia at Every 1000 C/ C.
- Not more than 40% of Reinforcement shall be Lapped at any particular junction.
- Cantilever props should not be released until the roof is concreted.
- Foundation is designed for Stilt plus three upper floor only.
- For Earthquake analysis Zone III is taken as per IS : 1893-2016 code.
- Removal of formworks :
 - For Slabs :
 - Slabs spanning upto 4.5 m (15'-0") - 7 days
 - Slabs spanning over 4.5 m (15'-0") - 14 days
 - For Beams and Arches :
 - Beams and Arches spanning upto 6 m (20'-0") - 14days
 - Beams and Arches spanning over 6 m (20'-0") - 21days



R.NO	DATE	DESCRIPTION
PROJECT		
PROPOSED RESIDENTIAL BUILDING AT PLOT NO.27, DOOR NO.30/10, MOHANAPURI 3rd STREET, ADAMBAKKAM, CHENNAI-600 088,		
FIRST & SECOND FLOOR ROOF DETAIL		
DESIGNED	KANNAN	SCALE 1 : 100
DRAWN	PREETHI	DATE 21-09-2022
STRUCTURAL CONSULTANTS:		

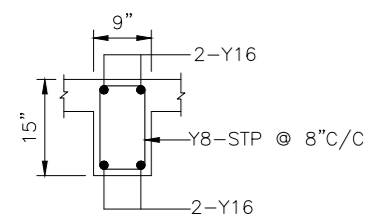
C.KANNAN B.E., M.E.(STRUCTURE)
DOOR NO:21, PLOT NO:257-W,
FLAT NO:2B, "UTOPIA APARTMENTS",
2nd FLOOR, 4th MAIN ROAD,
INDIRA NAGAR, CHENNAI-20.
MOBILE NO: 098412 49815.
E-MAIL:kannankds2007@gmail.com
FILE NAME : D/PREETHI/SLAB/RAJAN PAPAS-MOHANAPURI



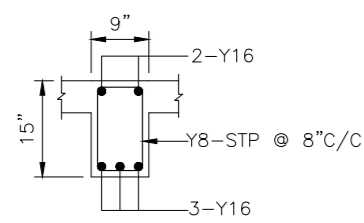
TYP. SEC. FOR
STP. DETAILS

Notes:-

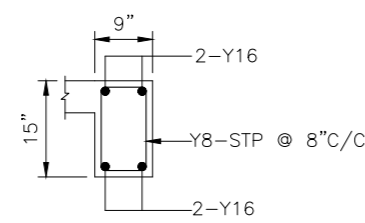
- This drawing should be read along with architectural drawings.
- Grade of R.C.C. items shall be M30 for column & M25 for all other R.C.C works
- Y Denotes TOR50 Steel conforming to I.S. 1786 - 2008. Grade - Fe 500
- Clear cover to the main steel
 - 50 for Footings, Raft Slabs & Raft Beams.
 - 40 for Columns.
 - 25 for Lintel & Beams.
 - 20 for Sunshade & Slab.
- Lap length shall be 50 d (Max. dia) for all bars.
- Bottom Reinforcement
- Top Reinforcement
- Provide Continuous Chairs to keep the top Reinforcement in position
- Provide Y 8 at 200 as Distribution steel for all top Reinforcement.
- Spacer Bar to be Provided in Between Two Layers Of Reinforcement of Same Dia at Every 1000 C/ C.
- Not more than 40% of Reinforcement shall be Lapped at any particular junction.
- Cantilever props should not be released until the roof is concreted.
- Foundation is designed for Stilt plus three upper floor only.
- For Earthquake analysis Zone III is taken as per IS : 1893-2016 code.
- Removal of formworks :
 - i) For Slabs :
 - a. Slabs spanning upto 4.5 m (15'-0") - 7 days
 - b. Slabs spanning over 4.5 m (15'-0") - 14 days
 - ii) For Beams and Arches :
 - c. Beams and Arches spanning upto 6 m (20'-0") -14days
 - d. Beams and Arches spanning over 6 m (20'-0") -21days



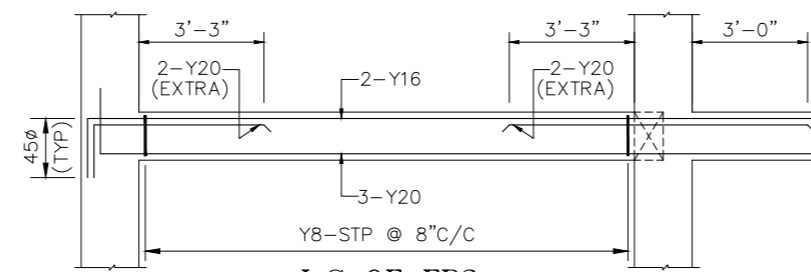
C.S OF FB1



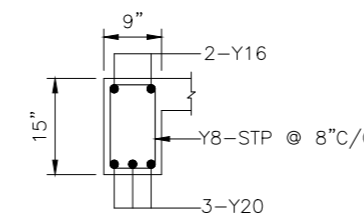
C.S OF FB2



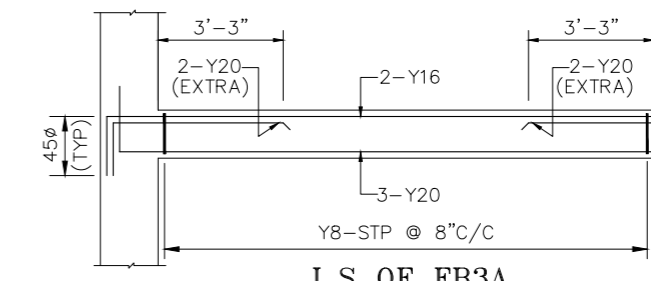
C.S OF FB2A



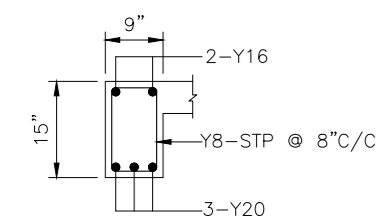
L.S OF FB3



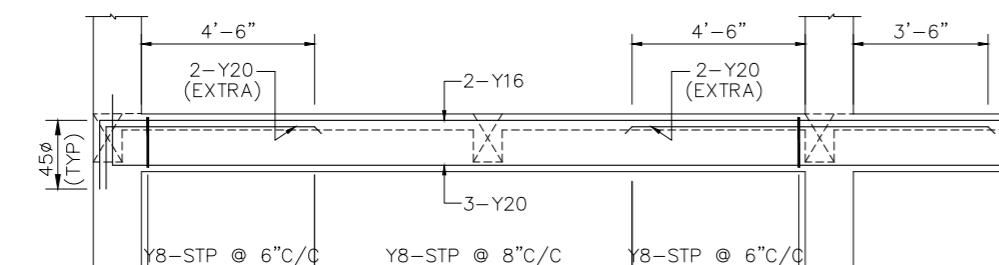
C.S OF FB3



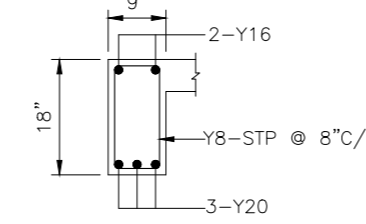
L.S OF FB3A



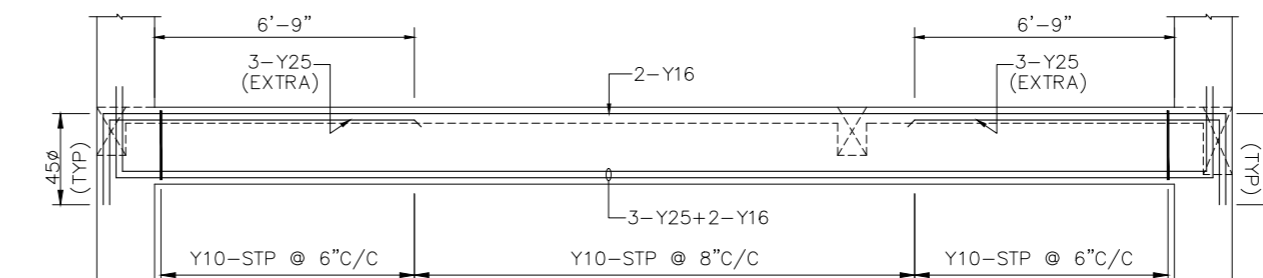
C.S OF FB3A



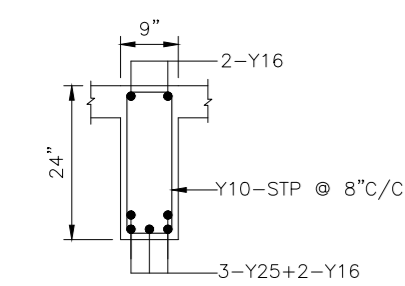
L.S OF FB4



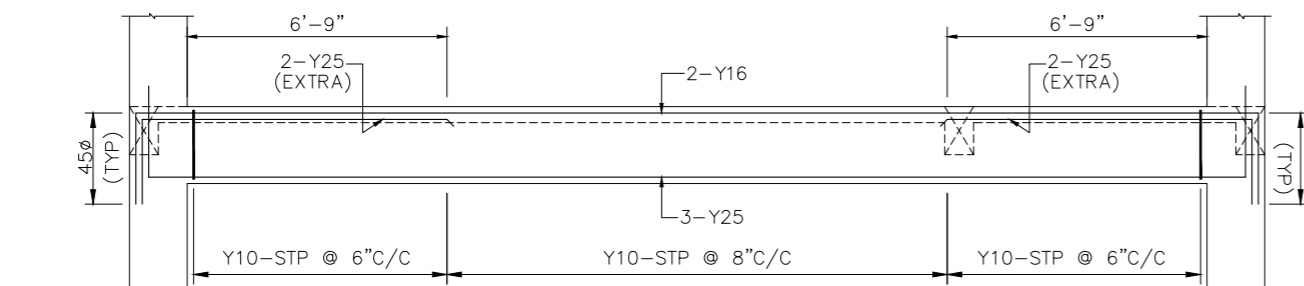
C.S OF FB4



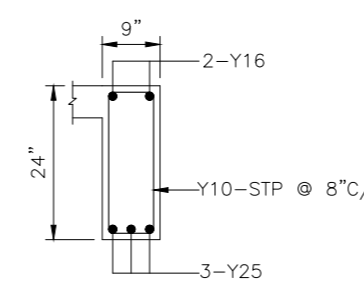
L.S OF FB5



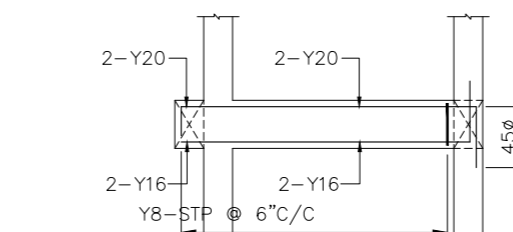
C.S OF FB5



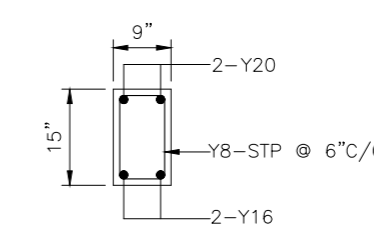
L.S OF FB6



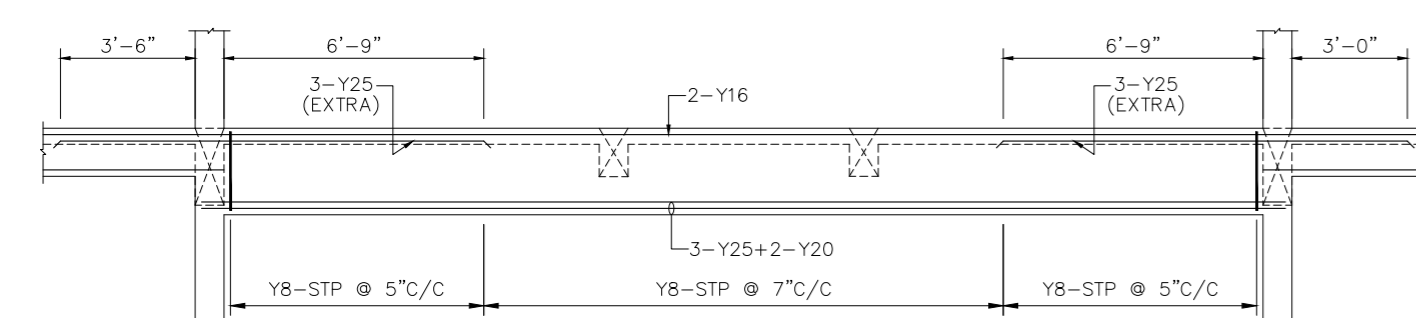
C.S OF FB6



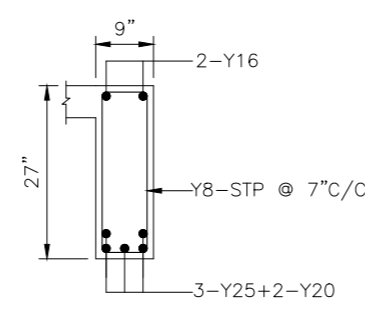
L.S OF CB1



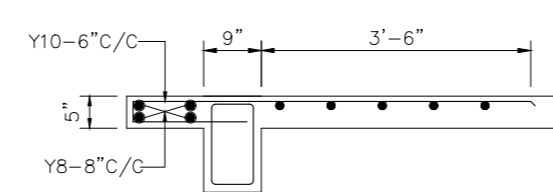
C.S OF CB1



L.S OF FB7



C.S OF FB7



SECTION A A
(TYPICAL)

R.NO	DATE	DESCRIPTION
------	------	-------------

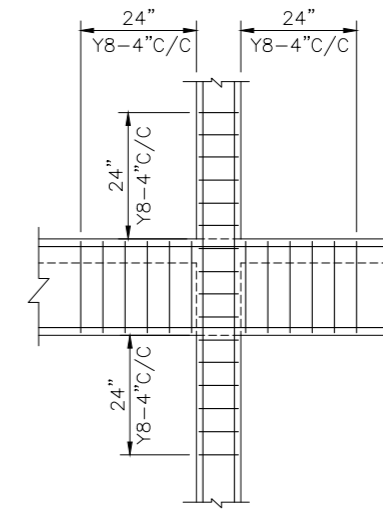
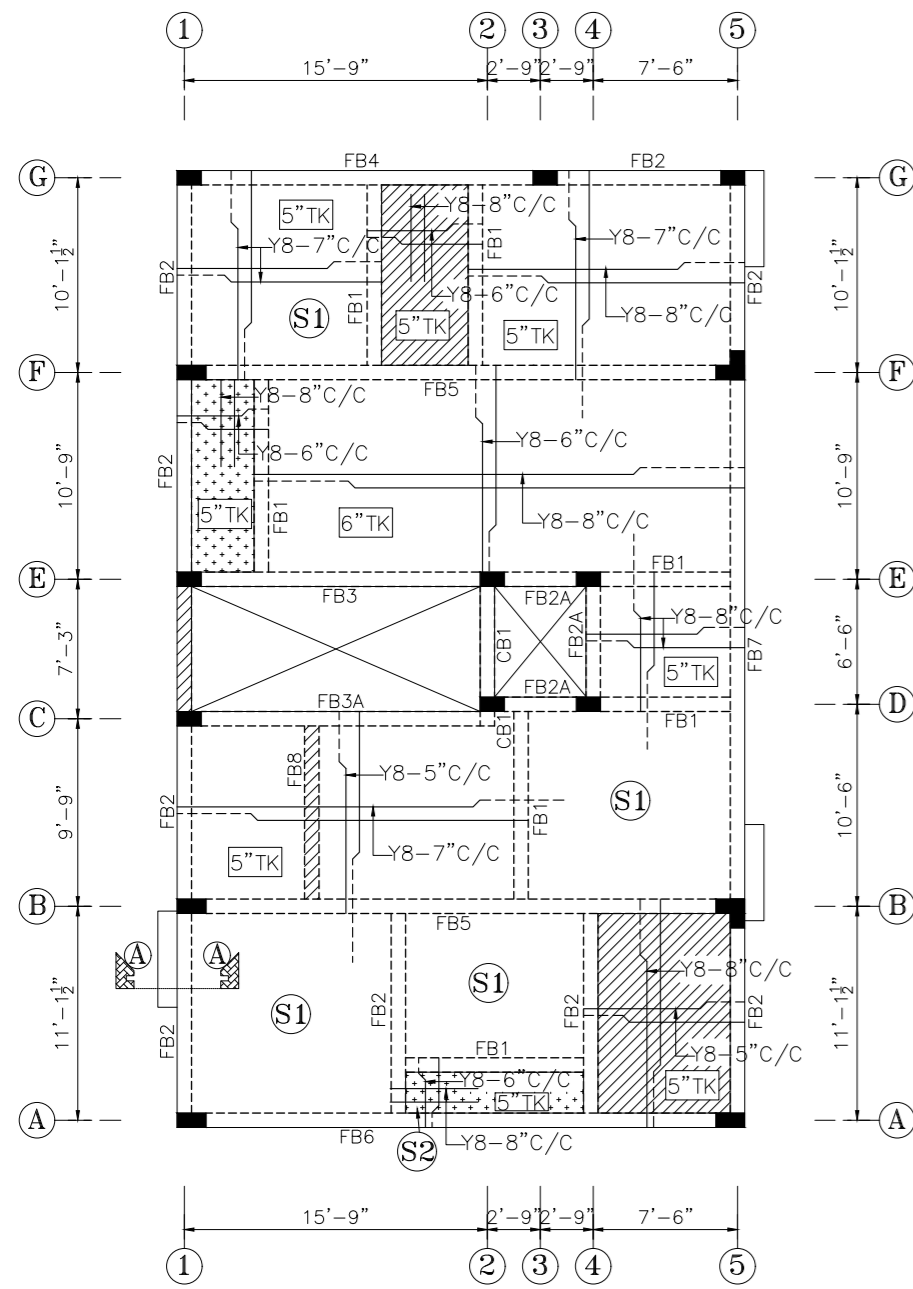
PROJECT
**PROPOSED RESIDENTIAL BUILDING
 AT PLOT NO.27, DOOR NO.30/10,
 MOHANAPURI 3rd STREET,
 ADAMBAKKAM, CHENNAI-600 088,**

THIRD FLOOR ROOF DETAIL

DESIGNED	KANNAN	SCALE	1 : 100
DRAWN	PREETHI	DATE	21-09-2022

STRUCTURAL CONSULTANTS:

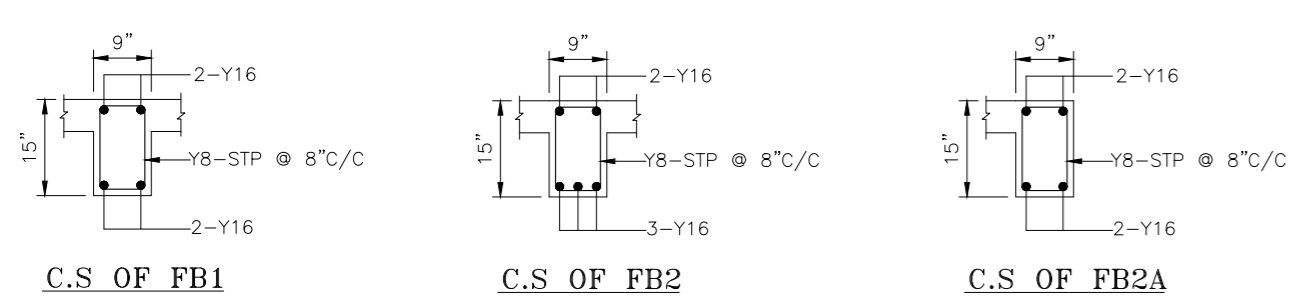
C.KANNAN B.E., M.E.(STRUCTURE)
 DOOR NO:21, PLOT NO:257-W,
 FLAT NO:2B, "UTOPIA APARTMENTS",
 2nd FLOOR, 4th MAIN ROAD,
 INDIRA NAGAR, CHENNAI-20.
 MOBILE NO: 098412 49815.
 E-MAIL:kannankds2007@gmail.com
 FILE NAME : D/PREETHI/SLAB/RAJAN PAPAS-MOHANAPURI



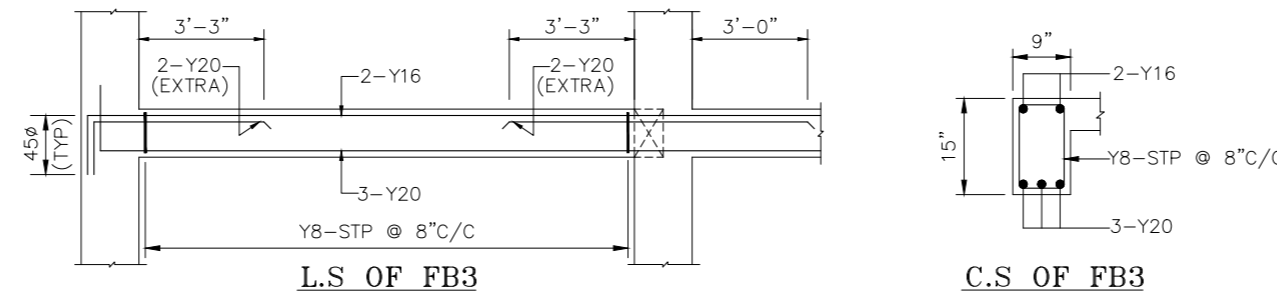
**TYP. SEC. FOR
STP. DETAILS**

Notes:-

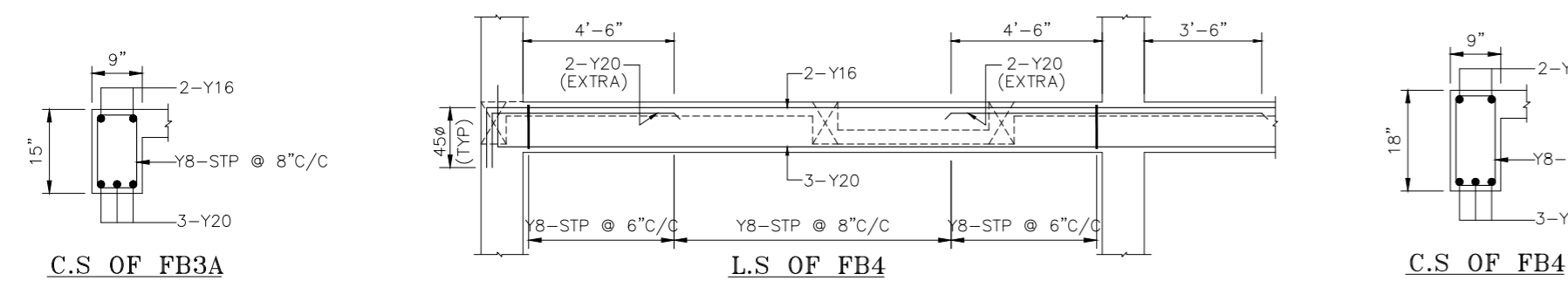
- This drawing should be read along with architectural drawings.
- Grade of R.C.C. items shall be M30 for column & M25 for all other R.C.C works
- Y Denotes TOR50 Steel conforming to I.S. 1786 - 2008. Grade - Fe 500
- Clear cover to the main steel
 - 50 for Footings, Raft Slabs & Raft Beams.
 - 40 for Columns.
 - 25 for Lintel & Beams.
 - 20 for Sunshade & Slab.
- Lap length shall be 50 d (Max. dia) for all bars.
- Bottom Reinforcement
- Top Reinforcement
- Provide Continuous Chairs to keep the top Reinforcement in position
- Provide Y 8 at 200 as Distribution steel for all top Reinforcement.
- Spacer Bar to be Provided in Between Two Layers Of Reinforcement of Same Dia at Every 1000 C/ C.
- Not more than 40% of Reinforcement shall be Lapped at any particular junction.
- Cantilever props should not be released until the roof is concreted.
- Foundation is designed for Stilt plus three upper floor only.
- For Earthquake analysis Zone III is taken as per IS : 1893-2016 code.
- Removal of formworks :
 - For Slabs :
 - Slabs spanning upto 4.5 m (15'-0") - 7 days
 - Slabs spanning over 4.5 m (15'-0") - 14 days
 - For Beams and Arches :
 - Beams and Arches spanning upto 6 m (20'-0") -14days
 - Beams and Arches spanning over 6 m (20'-0") -21days



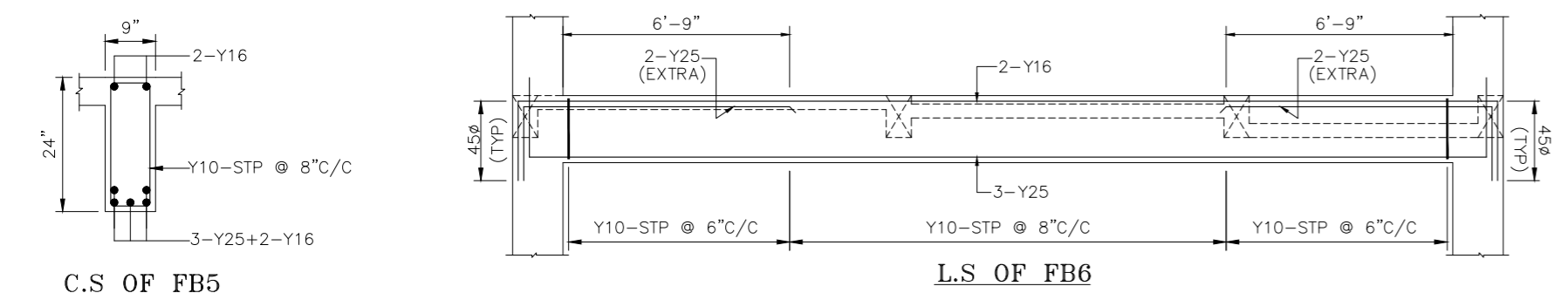
C.S OF FB1 C.S OF FB2 C.S OF FB2A



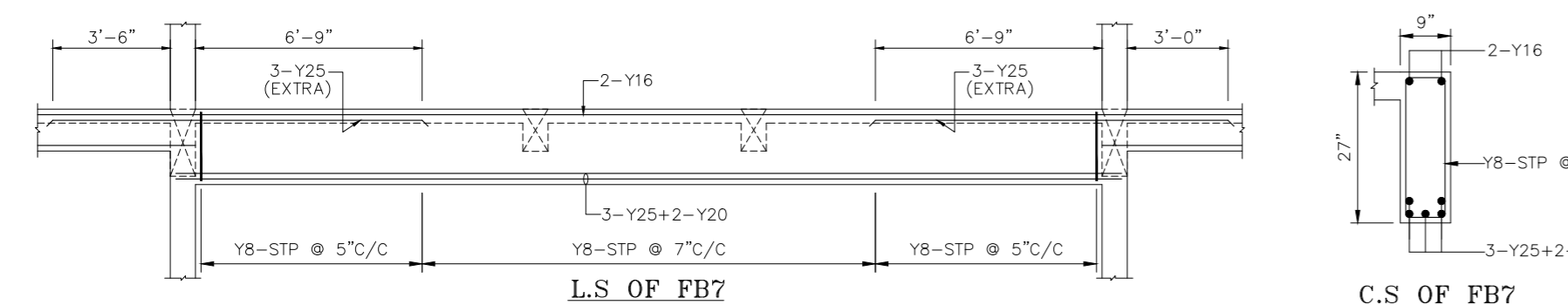
L.S OF FB3 C.S OF FB3 L.S OF FB3A



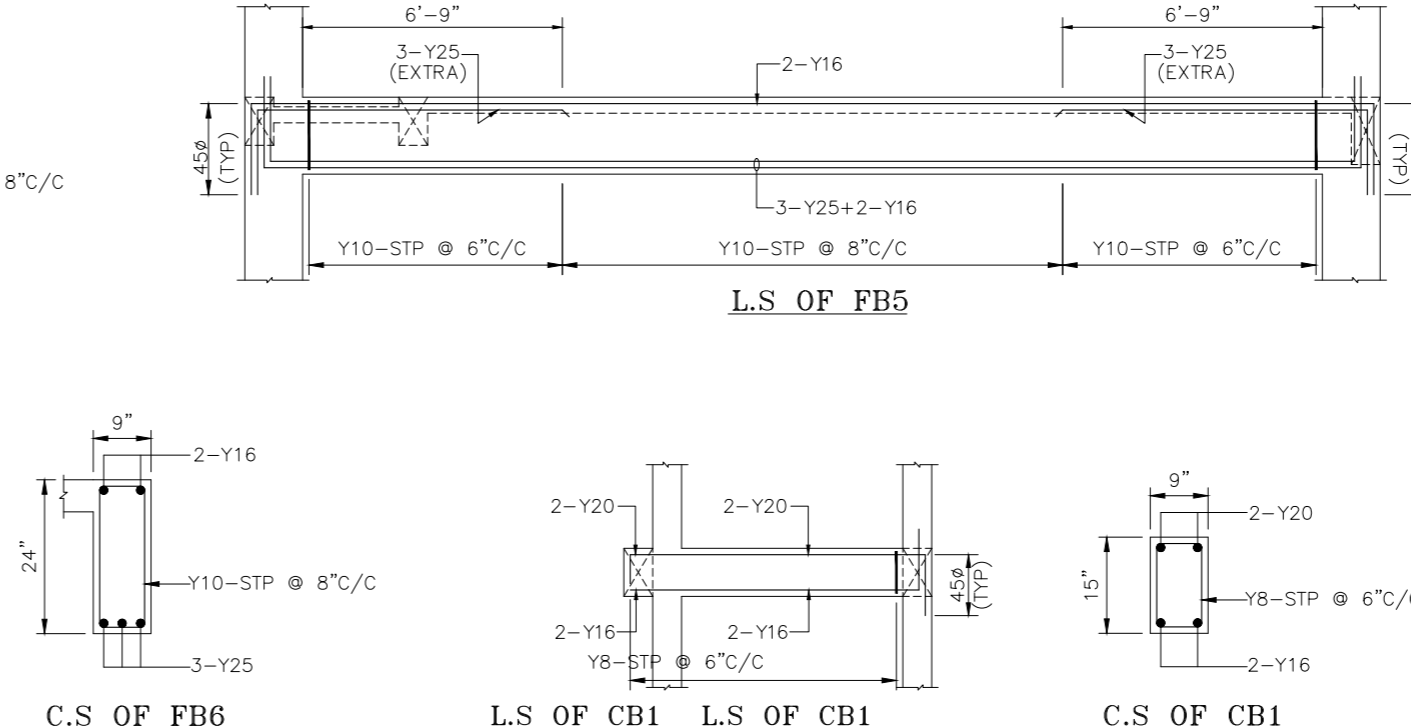
C.S OF FB3A L.S OF FB4 C.S OF FB4



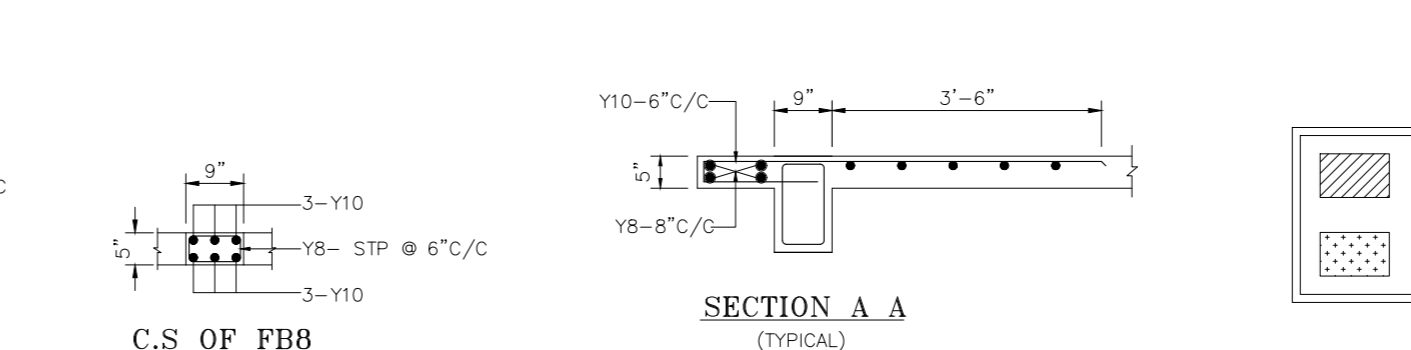
C.S OF FB5 L.S OF FB6 C.S OF FB6



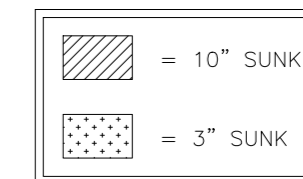
L.S OF FB7 C.S OF FB7 C.S OF FB8



L.S OF FB5 L.S OF CB1 C.S OF CB1

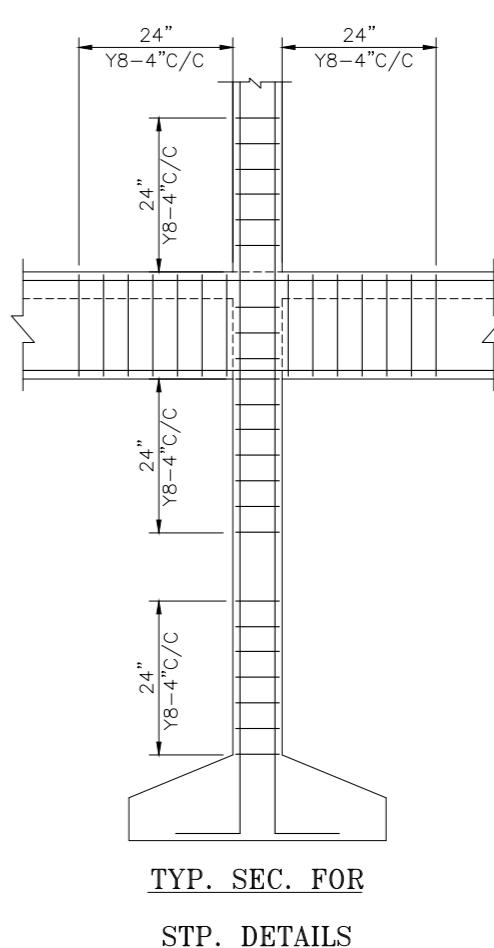
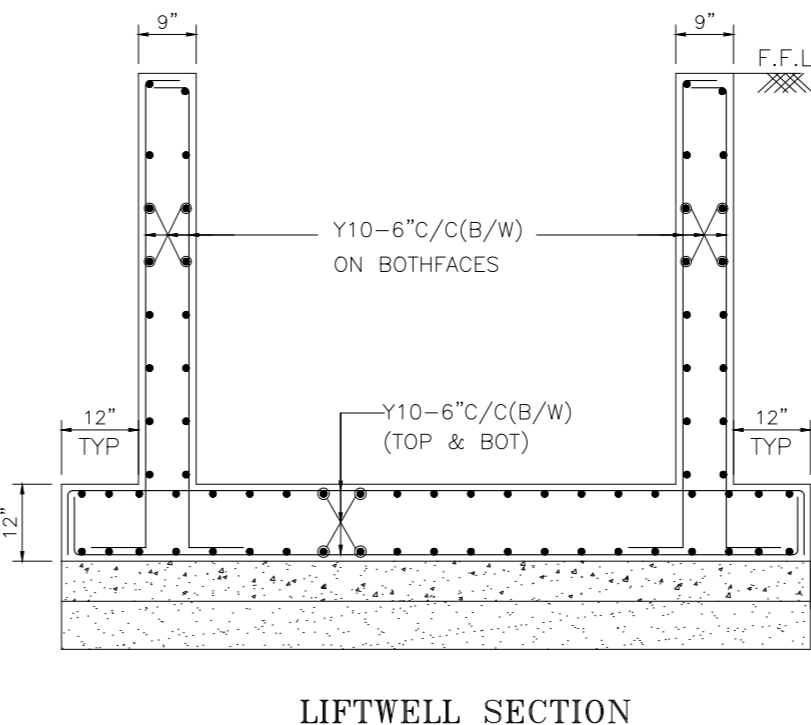
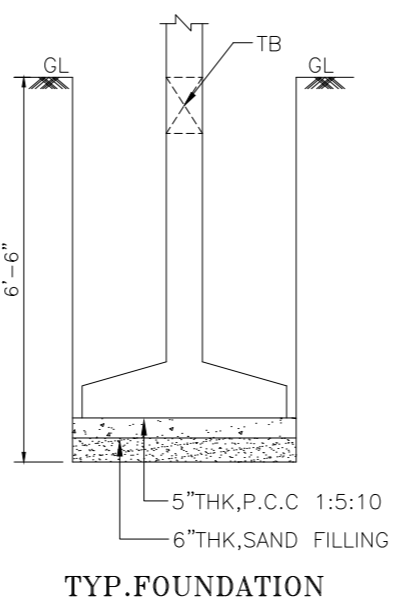
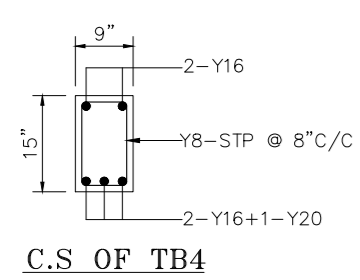
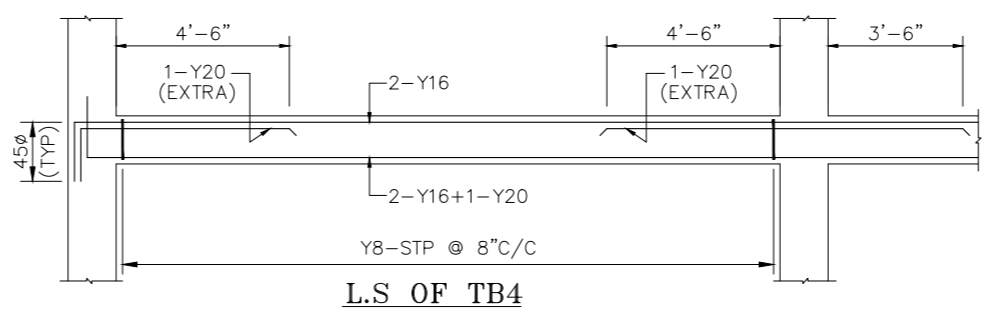
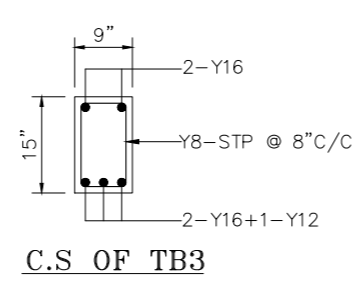
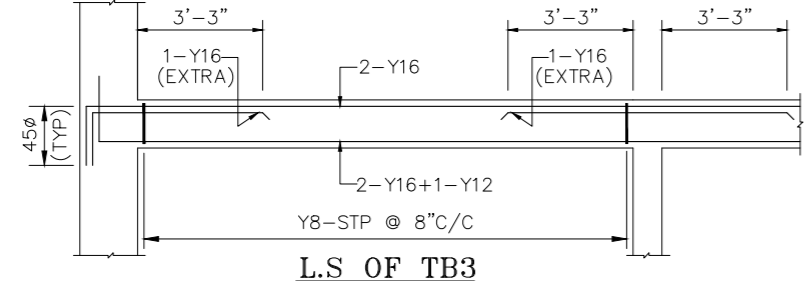
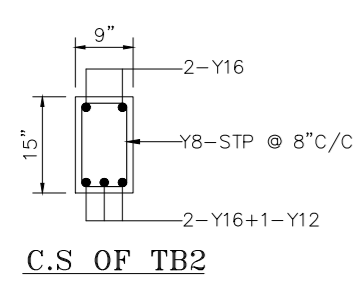
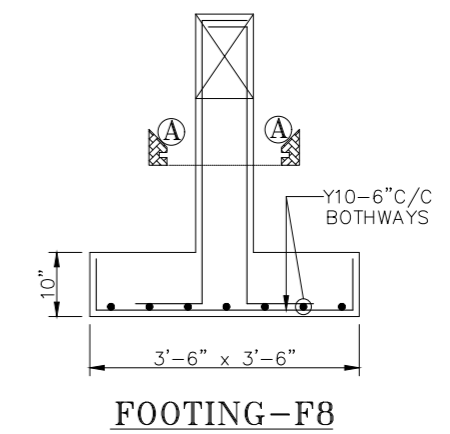
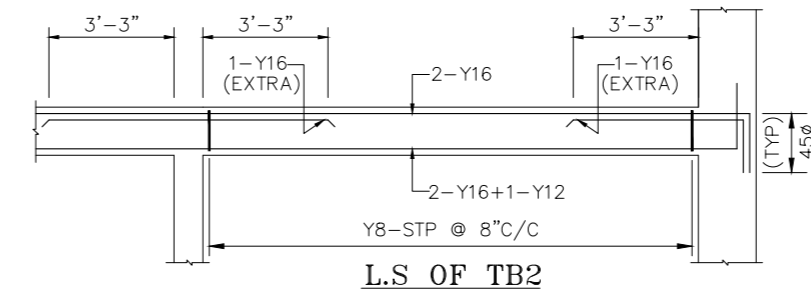
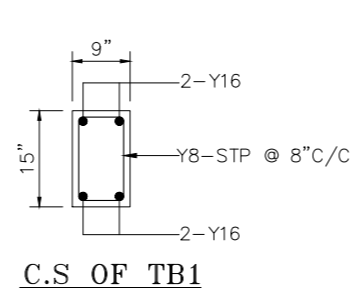
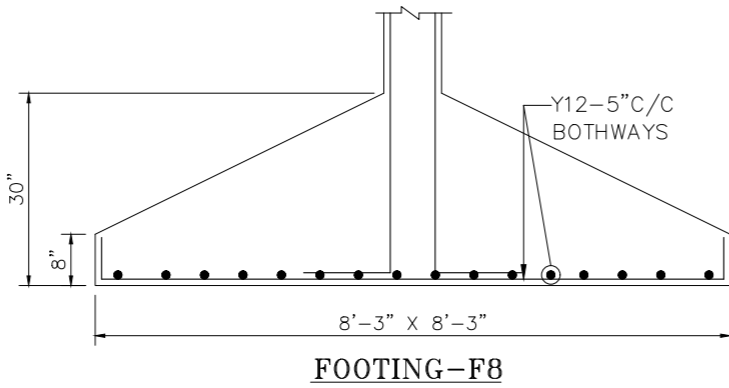
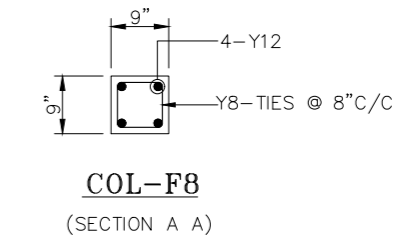
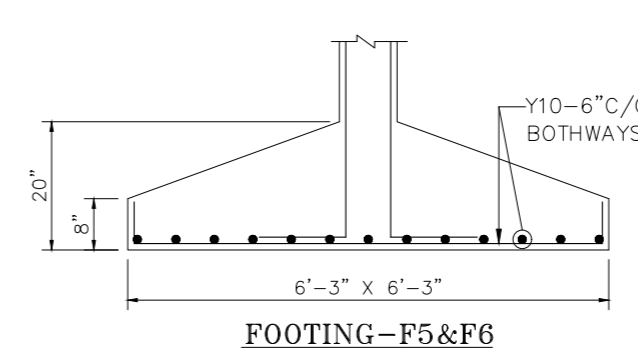
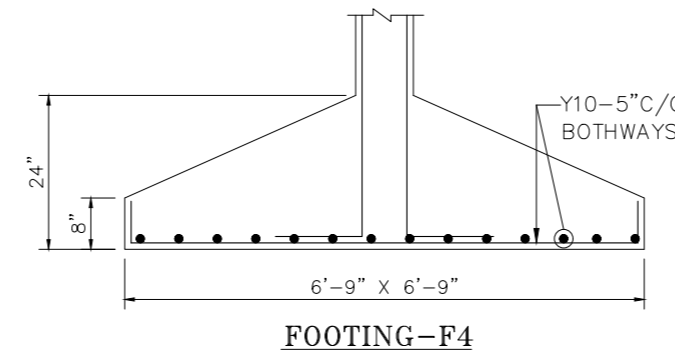
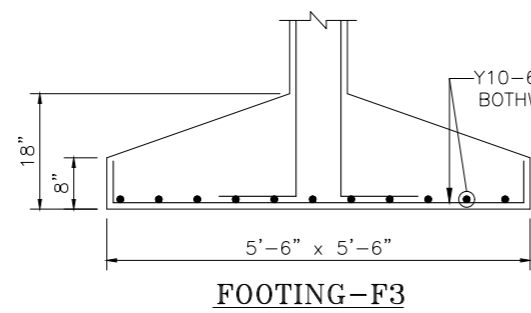
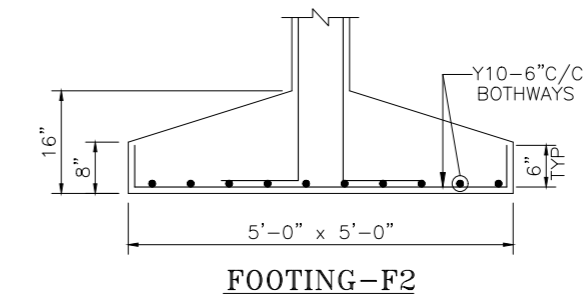
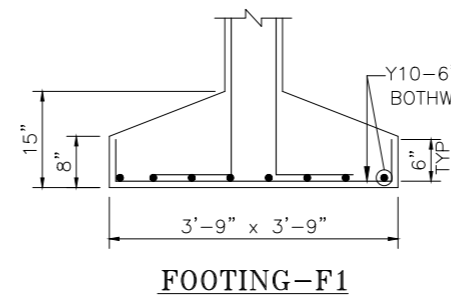
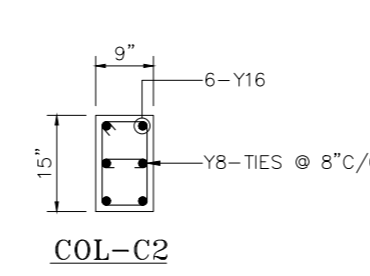
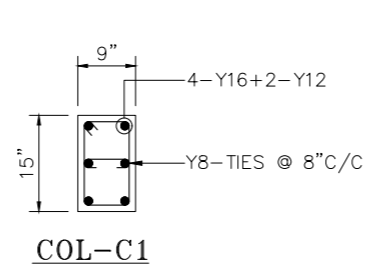
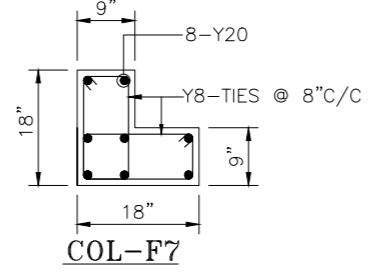
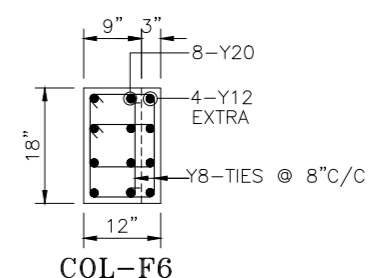
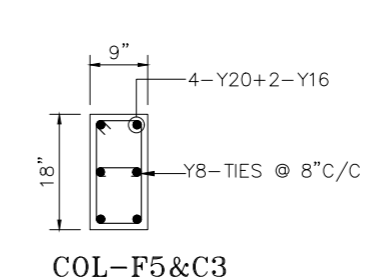
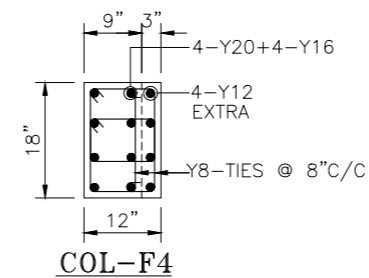
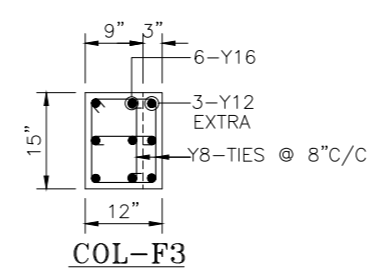
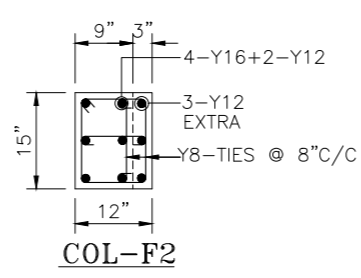
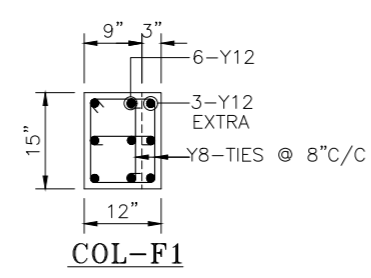
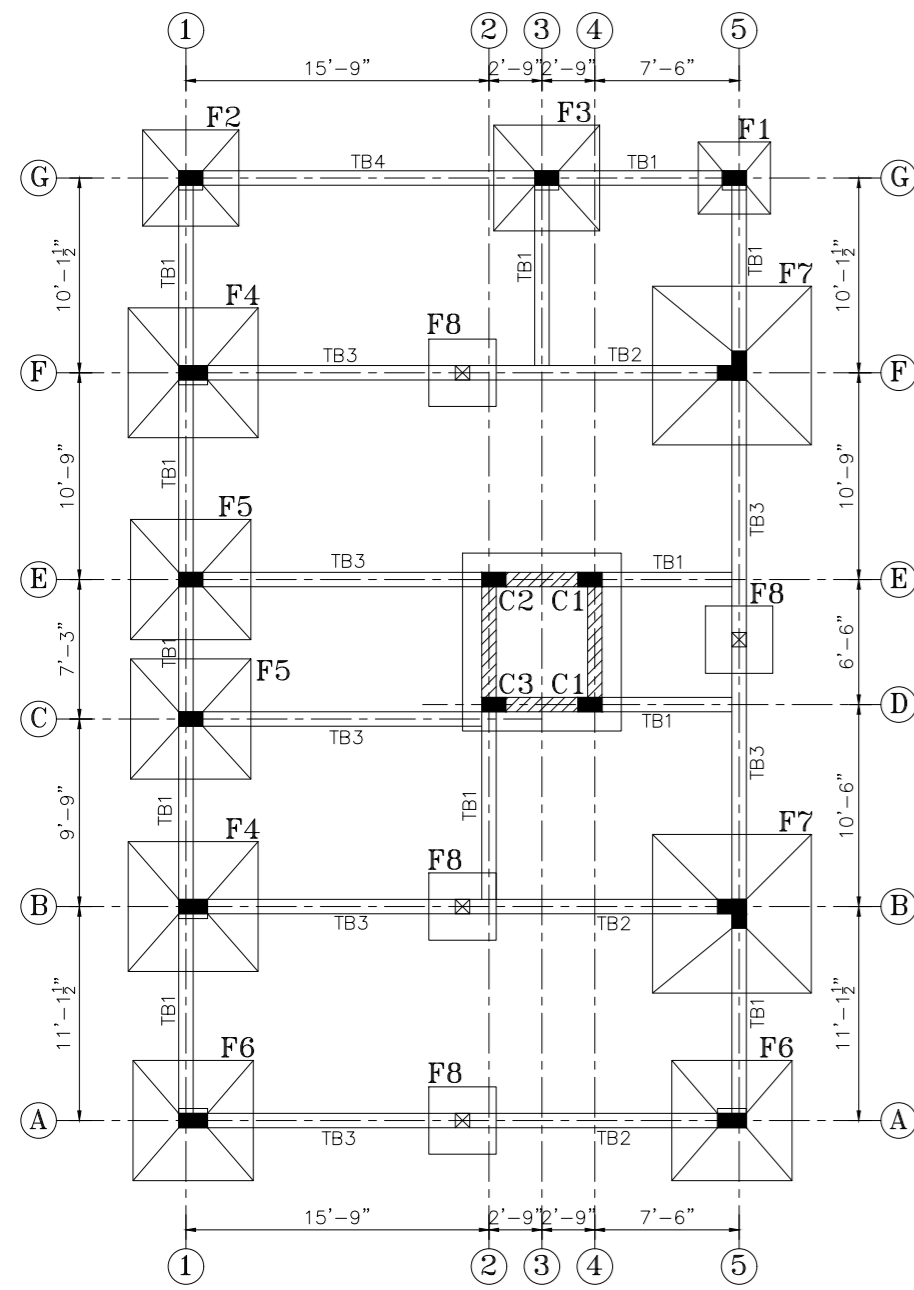


C.S OF FB8 SECTION A A (TYPICAL)



RNO	DATE	DESCRIPTION
PROJECT		
PROPOSED RESIDENTIAL BUILDING AT PLOT NO.27, DOOR NO.30/10, MOHANAPURI 3rd STREET, ADAMBAKKAM, CHENNAI-600 088,		
STILT FLOOR ROOF DETAIL		
DESIGNED	KANNAN	SCALE 1 : 100
DRAWN	PREETHI	DATE 21-09-2022
STRUCTURAL CONSULTANTS:		

C.KANNAN B.E., M.E.(STRUCTURE)
DOOR NO:21, PLOT NO:257-W,
FLAT NO:2B, "UTOPIA APARTMENTS",
2nd FLOOR, 4th MAIN ROAD,
INDIRA NAGAR, CHENNAI-20.
MOBILE NO: 098412 49815.
E-MAIL:kannankds2007@gmail.com
FILE NAME : D/PREETHI/SLAB/RAJAN PAPAS-MOHANAPURI



- Notes:-**
- This drawing should be read along with architectural drawings.
 - Grade of R.C.C. items shall be M30 for column & M25 for all other R.C.C works
 - Y Denotes TOR50 Steel conforming to I.S. 1786 - 2008. Grade - Fe 500
 - Clear cover to the main steel
 - 50 for Footings, Raft Slabs & Raft Beams.
 - 40 for Columns.
 - 25 for Lintel & Beams.
 - 20 for Sunshade & Slab.
 - Lap length shall be 50 d (Max. dia) for all bars.
 - Bottom Reinforcement
 - Top Reinforcement
 - Provide Continuous Chairs to keep the top Reinforcement in position
 - Provide Y 8 at 200 as Distribution steel for all top Reinforcement.
 - Spacer Bar to be Provided in Between Two Layers Of Reinforcement of Same Dia at Every 1000 C/ C.
 - Not more than 40% of Reinforcement shall be Lapped at any particular junction.
 - Cantilever props should not be released until the roof is concreted.
 - Foundation is designed for Stilt plus three upper floor only.
 - For Earthquake analysis Zone III is taken as per IS : 1893-2016 code.
 - Removal of formworks :
 - i) For Slabs :
 - a. Slabs spanning upto 4.5 m (15'-0") - 7 days
 - b. Slabs spanning over 4.5 m (15'-0") - 14 days
 - ii) For Beams and Arches :
 - c. Beams and Arches spanning upto 6 m (20'-0") -14days
 - d. Beams and Arches spanning over 6 m (20'-0") -21days

R.NO	DATE	DESCRIPTION
PROJECT		
PROPOSED RESIDENTIAL BUILDING AT PLOT NO.27, DOOR NO.30/10, MOHANAPURI 3rd STREET, ADAMBAKKAM, CHENNAI-600 088,		
FOUNDATION DETAIL		
DESIGNED	KANNAN	SCALE 1 : 100
DRAWN	PREETHI	DATE 21-09-2022

STRUCTURAL CONSULTANTS:

C.KANNAN B.E., M.E.(STRUCTURE)
 DOOR NO:21, PLOT NO:257-W,
 FLAT NO:2B, "UTOPIA APARTMENTS",
 2nd FLOOR, 4th MAIN ROAD,
 INDIRA NAGAR, CHENNAI-20.
 MOBILE NO: 098412 49815.
 E-MAIL:kannankds2007@gmail.com
 FILE NAME : D/PREETHI/LAYOUT/RAJAN PAPAS-MOHANAPURI